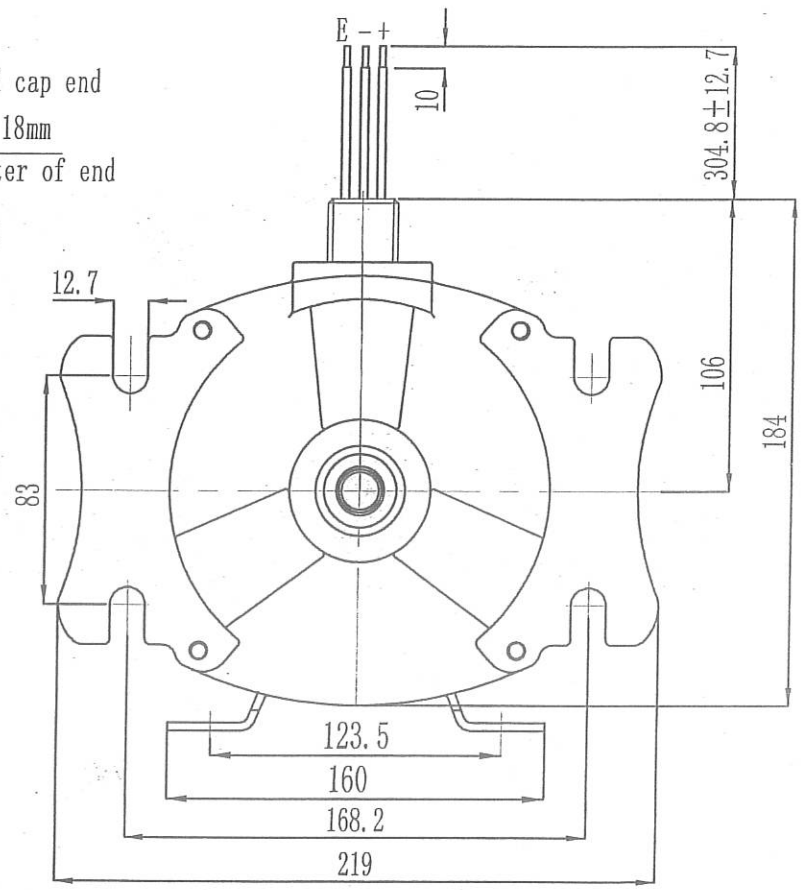
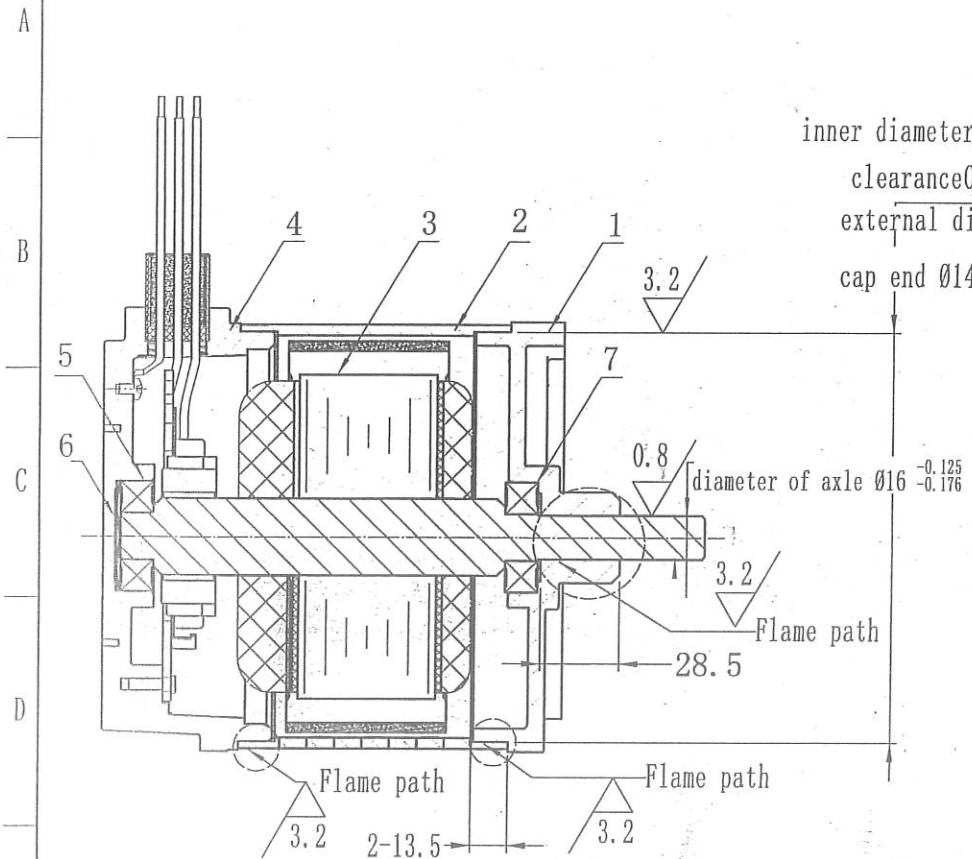


A4	linear dimension	≤6	>6~30	>30~120	>120~400	>400~1000	>1000~2000	≥2000	radius R/c	≤3	>3~6	>6~30	>30	angle length segmentation	≤10	>10~50	>50~120	>120	screw thread	metric internal thread	metric external thread	imperial internal thread	imperial external thread
	general tolerance	±0.1	±0.2	±0.3	±0.5	±0.8	±1.2	±2	general tolerance	±0.2	±0.5	±1	±2	angle tolerance	±1°	±30'	±20'	±10'	general tolerance	7H	6g	2B	2A



Technical specs:

2、Performance:

Load U=12VDC
Pout=2/3Hp
T=9.4Nm
n=500±10%rpm
I=75A

3、The casing and extension line should bear 600VAC 3mA 1S without break down

4、Isolation class: B

5、Wiring as drawing anticlock wire against output shaft

6、Volume: 1553cm³

Revision	A	Coating					Product ID	156ZYT027
							CHANGZHOU TIANAN NIKODA ELECTRONIC CO., LTD.	
							Assembly drawing	
Mark	No.	Sign	Date			METRIC (MM)	TA3.121.190	
Design	Wang xiaojun	Standardization		Phase marker	Quantity			Weight-g
	2016/10/20			S	1		1:2.5	
Verify		Approval						
Method		Date		Common 2 pages		First pages		

